



T-60X User Manual

2.0 Computer Multimedia Speaker

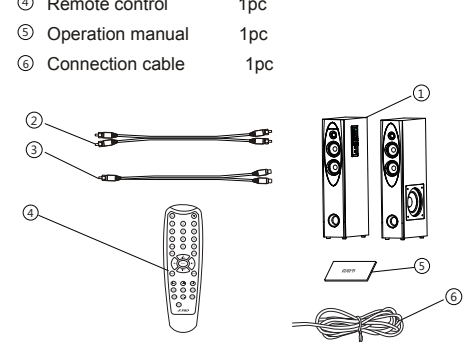
SHENZHEN FENDA TECHNOLOGY CO.,LTD.,GUANGDONG,PRC
ADD: Fenda Hi-Tech Park, Zhoushi Road, Shiyuan, Baoan, Shenzhen, Guangdong, PRC
Tel: +86-755-27486668(800 line) Fax: +86-755-27333777 P.C.: 518108

1 Caution

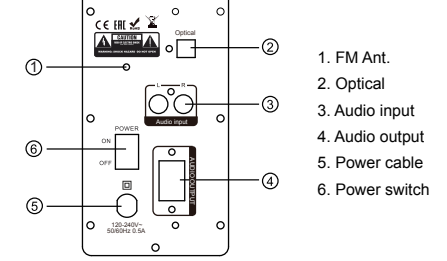
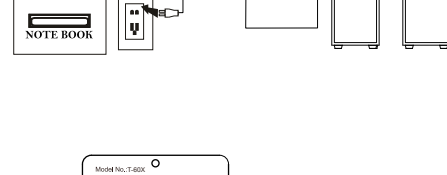
- Do not place the system in the high-temp and humid environment, prevent it from raining or rough handling and strong shock.
- In order to avoid electric shock and other accidents, do not open the back panel cover for repair without professional guidance.
- In case fragments or other liquids is accidentally sprinkled inside the cabinet, please switch off the power immediately.
- In case of repair, Please come to the professional maintenance for help.
- Switch off the power and take off the plug from the power jack when the system is not on work.
- Keep it safe from water drops or splashing water, and no liquid container allowed to be put on its top side.
- Keep the cabinet vent far from the wall by 20mm at least and the air vent should not be blocked.

Packaging content

- ① Speaker: 1unit
- ② RCA to RCA cable 1pc
- ③ 3.5mm to RCA cable 1pc
- ④ Remote control 1pc
- ⑤ Operation manual 1pc
- ⑥ Connection cable 1pc



Product wiring diagram

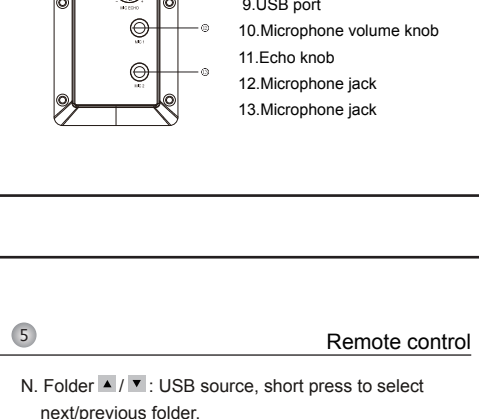


- 1. FM Ant.
- 2. Optical
- 3. Audio input
- 4. Audio output
- 5. Power cable
- 6. Power switch

3 Panel key controls

- A. : Turn on/off unit
- B. : Short press of this key will enter in to Bluetooth mode, Long press will enter into pairing mode & display will start flashing fast.
- C. : Decrease or increase the volume level
- D. : Switch among BT/AUX/Optical/USB and FM mode.
- E. /SCAN:
 - a. USB mode: Short press for play/pause the music play back.
 - b. FM Mode: Short press to start Auto Search & this will store the found frequencies (channels) automatically.
 - c. Bluetooth mode: short press to play/pause music.
- F. /CH- :
 - a. USB mode: Short press to select previous song and long press to select previous folder.
 - b. FM mode: Short press to select previous stored station.
 - c. Bluetooth mode: short press to select previous song.
- G. /CH+ :
 - a. USB mode: Short press to select next song and long press to select next folder.
 - b. FM mode: Short press to select next stored station.
 - c. Bluetooth mode: short press to select next song.

Panel instruction



- 1. Standby button
- 2. Bluetooth button
- 3. Source button
- 4. Play/Pause/FM autoscan button
- 5. Previous/CH- button
- 6. Next/CH+ button
- 7. Volume decrease button
- 8. Volume increase button
- 9. USB port
- 10. Microphone volume knob
- 11. Echo knob
- 12. Microphone jack
- 13. Microphone jack

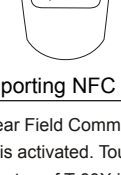
Remote control

Remote control basic function

- A. : turn on/off unit.
- B. : Switch among BT, Optical, AUX, USB and FM mode
- C. : press it to mute or unmute the sound.
- D. : increase or decrease master volume.
- E. : FM mode:
 - Fine Tuning: Short press to increase or decrease one step (100Khz), Manual Tuning: Long press of this key works for Manual tuning.
- F. : Short press of this key work to store tuned station through Fine or Manual tuning.
- G. /- (Mix+/Mix-):
 - FM mode: select stored station.
 - Microphone input: balance voice and music level.
- H. : FM mode: Short press to start Auto Search & this will store the found frequencies (channels) automatically.
- I. : confirm selection and return to main screen.
- J. 0-9 number keys:
 - 1. USB source: directly press numeric keys through remote to select your favorite song if you know the song number in your USB device.
 - 2. FM source: directly press numeric keys through remote to select your favorite station if you know the station number (1-100), Or press 3 or 4 digits of frequency to play that station, for example, 1026 for 102.6 MHz station.
- K. : USB and BT source, short press to play or pause.
- L. : USB and BT source, short press to select previous song.
- M. : USB and BT source, short press to select next song.

5 Remote control

- N. / : USB source, short press to select next/previous folder.
- O. : Short press of this key will enter in to Bluetooth mode, Long press will enter into pairing mode & display will start flashing fast.
- P. : short press to go to default settings.
- Q. TRE+ : increase treble level
- TRE- : decrease treble level
- BASS+ : increase bass level
- BASS- : decrease bass level



Pairing a bluetooth device supporting NFC

If your Bluetooth device supports Near Field Communication (NFC), make sure that NFC feature is activated. Touch the NFC area of your Bluetooth device to top of T-60X in order to automatically pairing.

Note: 1. If your phone has NFC support but it is running an OS below Android 4.1, you will need to download an NFC Bluetooth APP from Google play or a similar online store.

Notice: After switch to Bluetooth source, the unit will automatically search the Bluetooth device and connect it. If the device paired before. If can't find paired device, it will enter pairing mode automatically and the display will flash quickly. Bluetooth device should active "Bluetooth" function during pairing and search for "Fenda T-60X".

Operation guidance

Playback via Bluetooth

Basic Requirement

- 1. Bluetooth must be activated on the mobile end device which you want to connect with F&D T-60X
- 2. The mobile end device must support Bluetooth A2DP
- 3. The mobile end device must be within range of the F&D T-60X(max. 10m)

Steps need to be followed

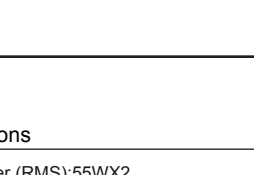
- 1. Select input
- 2. Long press the
- 3. will appears on the display
- 4. You now have 30 seconds to register your mobile end device
- 5. Start the search on your mobile end device
- 6. If the mobile device requires an access code, please enter 0000
- 7. Once confirmed, the connection will be done automatically and will appear in the display

Please note:

- 1. the device most recently connected to the F&D System connects automatically when Bluetooth is activated and the input for Bluetooth playback has been selected. in this case the message will appear.
- 2. Start the playback of a medium on your mobile end device and the sound will automatically be generated by the F&D System.

USB mode

- 1. The warranty covers services by our **F&D** Authorised Dealer
- 2. Card reader supporting max 32GB as well as MP3/WMA dual formats decoding
- 3. Play music (refer to remote control function)

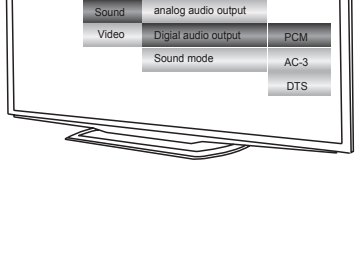


7 AUX mode

- 1. Short press to switch audio source to AUX mode. Connect the speaker with audio source through signal cable (output interface of device as TV, PC, Mobile phones, etc).
- 2. Adjust volume while playing music.

Optical mode

- 1. Short press to switch audio source to Optical mode. Connect the speaker with audio source through Optical signal cable
- 2. Adjust volume while playing music
- 3. To play digital optical audio well on T-60X, please make sure to set "PCM mode" as digital output on your devices, such as Blue-ray DVD, TV and Video player, etc. Below as example:



Specifications

Output power (RMS):55WX2
Speaker Unit:
Tweeter: 1" 8Ω
Full-range speaker: 4" 8Ω
Subwoofer: 8" 4Ω
Frequency response: 20Hz-20KHz
S/N Ratio: ≥70dB
Separation: ≥45dB
Power: 120-240V~50/60Hz 0.5A

Troubleshooting

Problem	Possible Cause	Solution
F&D system does not turn on	Power cable not connected to the power outlet and/or F&D System	Check connection
Sound reproduction too soft	Volume of F&D System set too low	increase the volume using the "Volume" button, increase the volume of the source device
F&D System does not respond to remote control.	The battery is empty	Replace battery, observe correct polarity at insertion
No sound reproduction	Source device not producing any signal.	Digital output on the source device not activated (please refer to device instructions).
	Cable not correctly connected/faulty cable.	Check the connection of the source device to the F&D System and change the cable if necessary.
	distance is far from device in Bluetooth mode	put your Bluetooth device close to the speaker
No sound output under optical mode	Bluetooth device not connected successfully	please restart the speaker and try again
	optical cable not connect well or damaged	not bend optical cable over 50 degree

F&D WARRANTY CARD

END-USER'S COPY
WARRANTY REGISTRATION CERTIFICATE

Mr./Mrs/Ms First Name: _____
Last Name: _____
Address: _____
Contact No.: _____
Product Name: _____
Model No.: _____
Serial No.: _____
Date Purchased: _____
Invoice No.: _____
Retail Outlet Where Purchased: _____

(Please print the name & address)

SECTION 1

WARRANTY TERMS & CONDITIONS

The warranty will be effective only if the warranty card is completed and returned to the company within 14 days from the date of purchase. We guarantee the provision of free services of **F&D** product within the warranty period, from its date of purchase from our Authorised Dealer. The period and conditions of our warranty service are as follow:

- 1. The warranty covers services by our **F&D** Authorised Dealer. This warranty card together with the receipt must be presented when servicing is required. This warranty card is irreplaceable in the event of loss.
 - A. Parts:..... 1 year
 - B. Technical service free:..... 1 year
- 2. Repair services will be provided for defects arising from normal usage for the following period, commencing from the date of purchase from our **F&D** Authorised Dealer. (Parts would be replaced when necessary)
 - A. Failure to present the warranty card and receipt when servicing is required.
 - Full particulars not clearly shown or alterations made against the actual information.
 - For e.g.: Alteration of the date of purchase, serial numbers-altered or removed.
 - B. This unit being tampered with, altered in any way by any unauthorised technicians or which has been subjected to misuse, negligence or accident. This guarantee does not cover damage occurring in transit by or from the customer.
 - C. The defect is caused by the attack of household pests, fire, lighting, natural disasters, pollution, abnormal voltage or the usage of generator.

Shenzhen Fenda Technology Co., Ltd.
Add: Fenda Hi-Tech Park, Zhoushi Road, Shiyuan, Baoan, Shenzhen, China
P.C.: 518108 Http://www.fenda.com

F&D WARRANTY CARD

DISTRIBUTOR'S COPY
WARRANTY REGISTRATION CERTIFICATE

Mr./Mrs/Ms First Name: _____
Last Name: _____
Address: _____
Contact No.: _____
Product Name: _____
Model No.: _____
Serial No.: _____
Date Purchased: _____
Invoice No.: _____
Retail Outlet Where Purchased: _____

(Please print the name & address)

SECTION 2

WARRANTY TERMS & CONDITIONS

The warranty will be effective only if the warranty card is completed and returned to the company within 14 days from the date of purchase. We guarantee the provision of free services of **F&D** product within the warranty period, from its date of purchase from our Authorised Dealer. The period and conditions of our warranty service are as follow:

- 1. The warranty covers services by our **F&D** Authorised Dealer. This warranty card together with the receipt must be presented when servicing is required. This warranty card is irreplaceable in the event of loss.
 - A. Parts:..... 1 year
 - B. Technical service free:..... 1 year
- 2. Repair services will be provided for defects arising from normal usage for the following period, commencing from the date of purchase from our **F&D** Authorised Dealer. (Parts would be replaced when necessary)
 - A. Failure to present the warranty card and receipt when servicing is required.
 - Full particulars not clearly shown or alterations made against the actual information.
 - For e.g.: Alteration of the date of purchase, serial numbers-altered or removed.
 - B. This unit being tampered with, altered in any way by any unauthorised technicians or which has been subjected to misuse, negligence or accident. This guarantee does not cover damage occurring in transit by or from the customer.
 - C. The defect is caused by the attack of household pests, fire, lighting, natural disasters, pollution, abnormal voltage or the usage of generator.

Shenzhen Fenda Technology Co., Ltd.
Add: Fenda Hi-Tech Park, Zhoushi Road, Shiyuan, Baoan, Shenzhen, China
P.C.: 518108 Http://www.fenda.com